

Assembly Instructions: 8209-12 (Ellyn)

IMPORTANT:

- ALL INSTALLATION WORK SHOULD BE DONE BY ACCREDITED PROFESSIONAL.
- SHUT OFF POWER SUPPLY AT FUSE OR CIRCUIT BREAKER!
- USE ONLY THE SPECIFIED BULBS. DO NOT EXCEED THE MAXIMUM WATTAGE!

For Customer Service, please contact the place of purchase.

PREPARING FOR INSTALLATION

Remove all of the contents from the carton. See the important notes above. Remove the old fixture from the ceiling, including the old mounting strap.

1. From the parts bag remove the mounting strap assembly. One end of nipple (F) should be attached to mounting strap (A) with hex nut (C) and washer (D) in place. The other end should have canopy loop (H) attached. Attach mounting strap (A) to the junction box using mounting screws (B) and a screwdriver. Tighten securely.
2. Unscrew canopy loop collar (I) from canopy loop (H). Pass canopy (G) over the mounted canopy loop to test the height. Approximately half of the canopy loop's exterior threads should be exposed, and the canopy loop collar should fit snugly onto the canopy loop. Remove canopy (G) and adjust the height of nipple (F) and canopy loop (H) until the desired height is reached. Remove canopy (G) and canopy loop (H) and place aside.

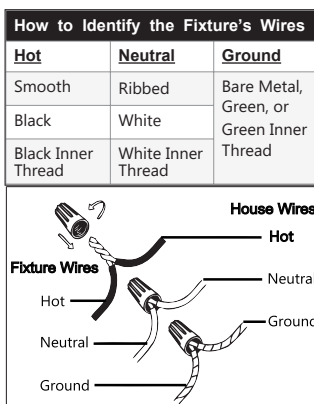
ASSEMBLING THE FIXTURE

3. Insert nipple (P) into post (R) before covering nipple (P) with decorative cover (O) and spacer (M). Connect rod (S) along with top loop (L) to the top of nipple (P).

4. By measuring, determine the correct number of chain links needed for proper hanging height. If necessary, use a pair of pliers to open and remove any excess chain (J). Attach one chain connector (K) to each end of chain (J). Connect one of chain connectors (K) to top loop (L) and twist the side lock to secure the connector in place. Feed the fixture's wires up through the chain (every three links or so), pulling the wires until taut. Use the free chain connector (K) to attach chain (J) to canopy loop (H). Untwist canopy loop collar (I) from canopy loop (H) to allow canopy (G) to be added to the chain. Feed the wires up through the chain. Allow canopy (G) to drop down onto the chain/wire.

CONNECTING THE WIRES

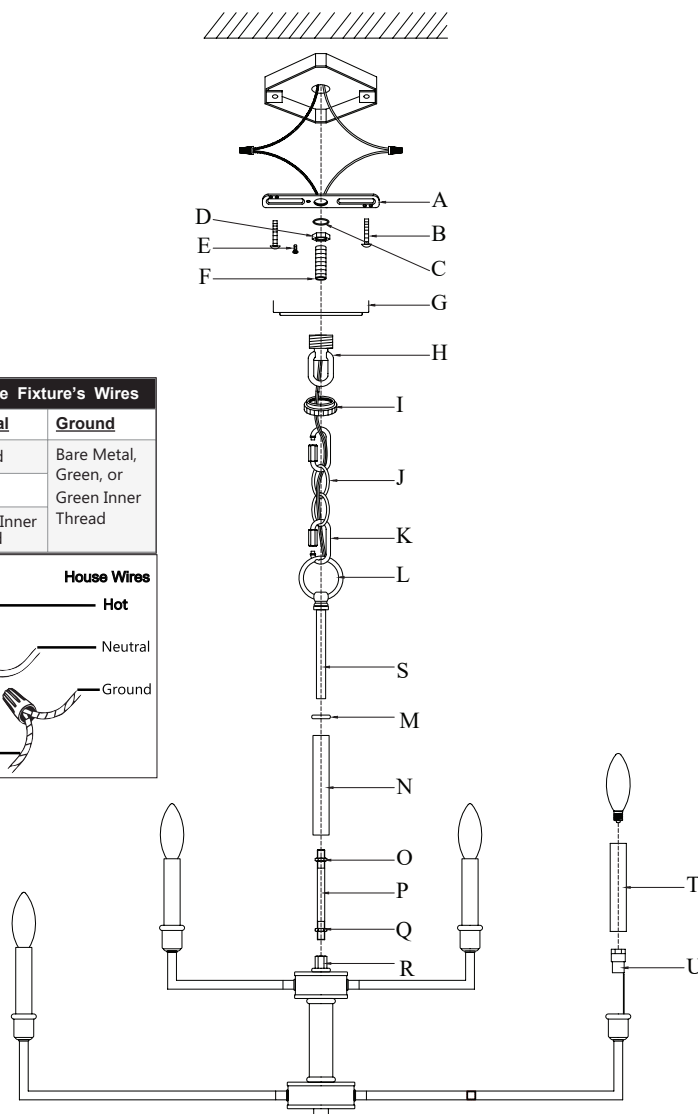
5. Have an assistant support the weight of the fixture. Refer to the wiring diagram and attach the fixture's wires to the power supply wires from the junction box. Connect Hot to Hot, Neutral to Neutral, and Ground to Ground. Twist the ends of the wire pairs together, and then twist on a wire connector. Make sure all twists are in the same direction. If there is no house ground wire coming from the junction box, locate ground screw (E) on the mounting bracket/mounting strap and wrap the fixture's ground wire around the ground screw. Use a screwdriver to tighten the top of ground screw (E) onto the wires and into the mounting bracket/mounting strap. Tuck the wires into the junction box.



FINISHING THE INSTALLATION

6. Raise canopy (G) to the ceiling. Slide canopy loop (H) and canopy loop collar (I) up beneath the canopy. Tightly thread canopy loop collar (I) onto canopy loop (H) to secure canopy (G) in place.
7. Slide candle sleeves (T) over sockets (U).
8. Install light bulbs (not provided) in accordance with the fixture's specifications. Do not exceed the maximum recommended wattage.

Your installation is complete. Turn on the power and test the fixture.



CLEANING TIPS

Treat the fixture gently! Regular cleaning will reduce the need for deep cleaning. For regular cleaning, turn off the light and wipe down the fixture with a clean lint-free cotton or microfiber cloth. Never spray cleaner directly onto the fixture.